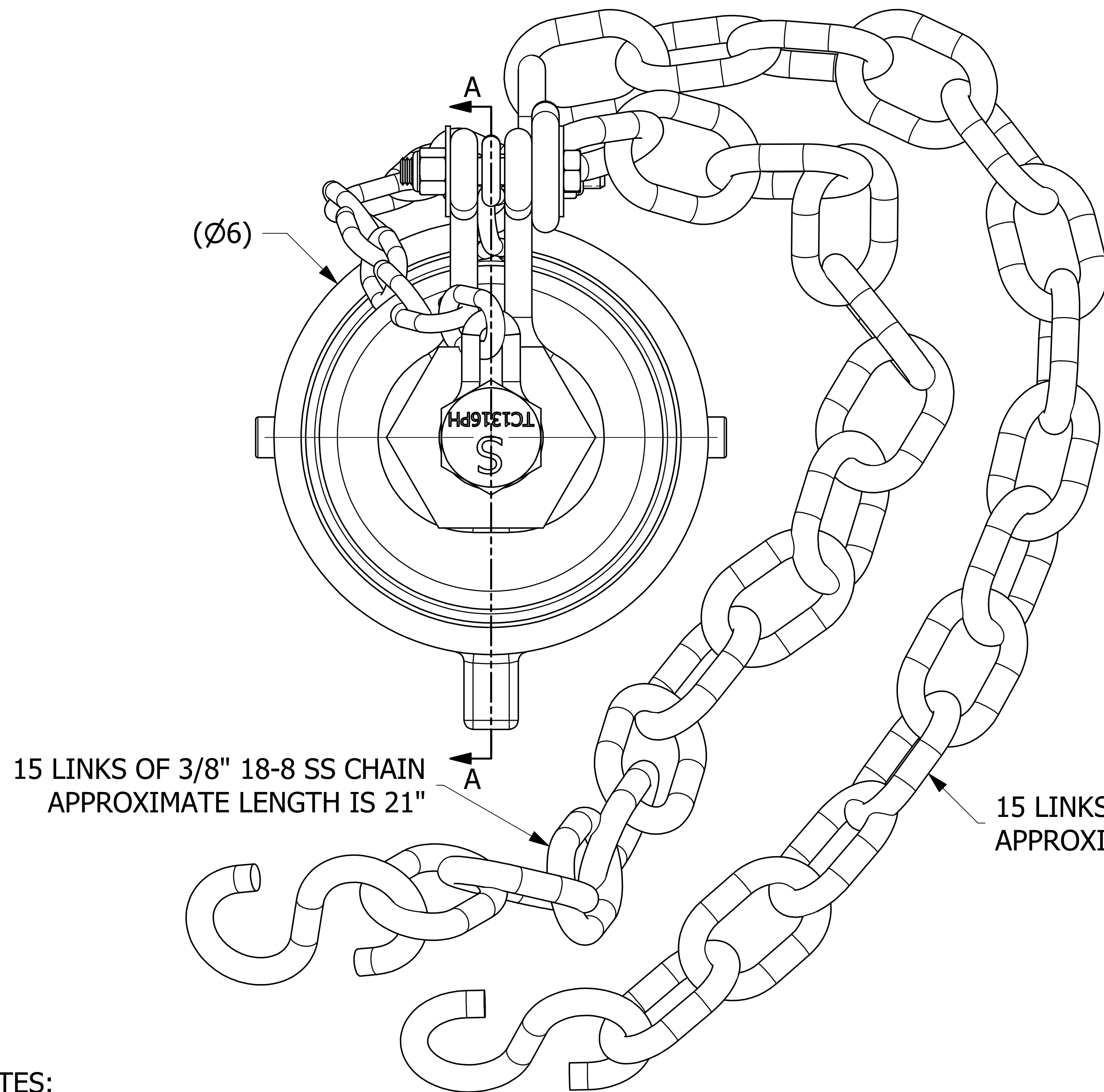


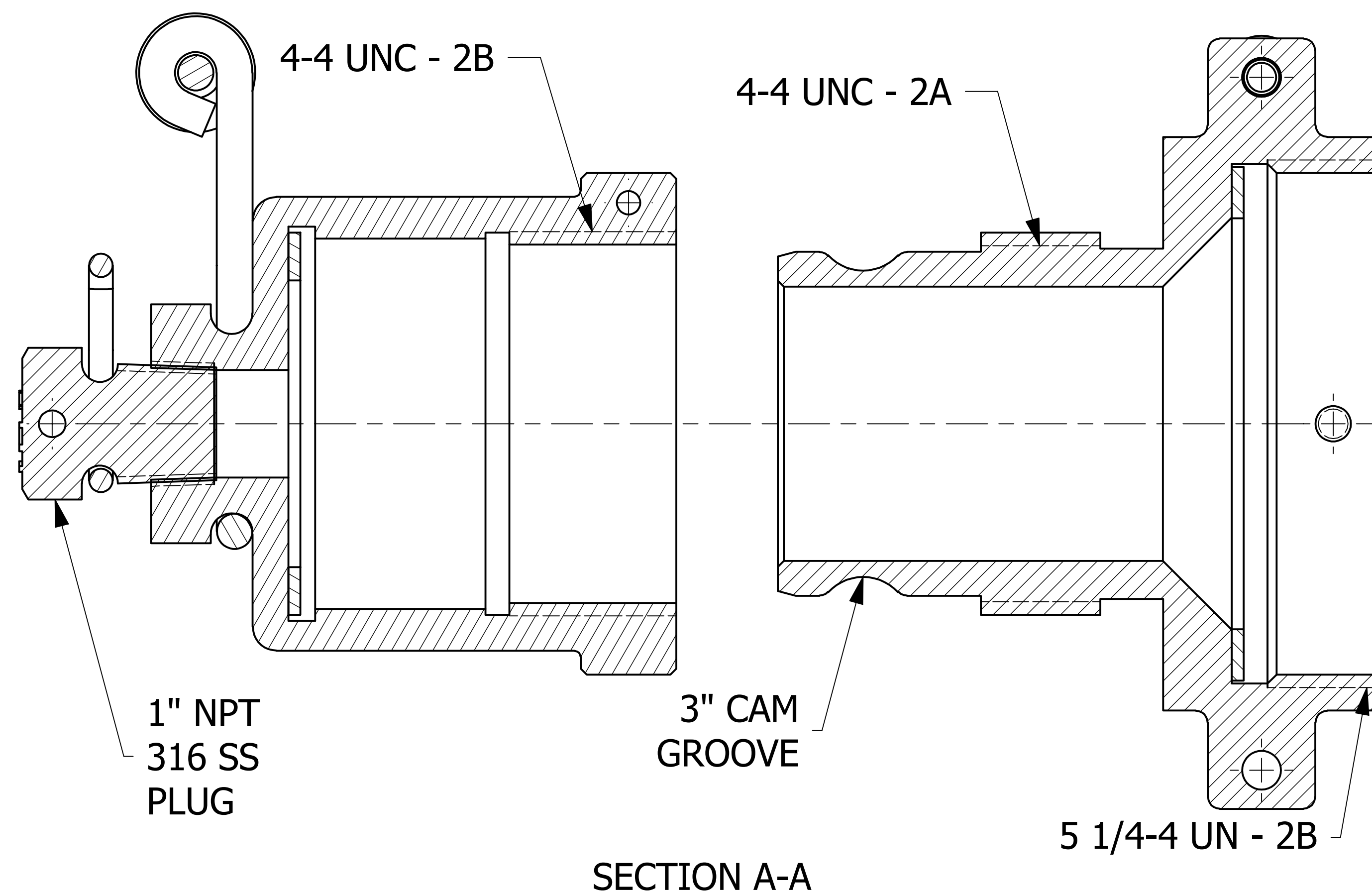
SALES DRAWING SALES DRAWING

SALES DRAWING SALES DRAWING



15 LINKS OF 3/8" 18-8 SS CHAIN  
APPROXIMATE LENGTH IS 21"

15 LINKS OF 3/8" 18-8 SS CHAIN  
APPROXIMATE LENGTH IS 21"



SECTION A-A

**NOTES:**

1. UNLOADING ASSEMBLY IS DOT AND AAR APPROVED.
2. AAR APPROVAL # IS E-149523.
3. SET SCREWS SECURE ADAPTER WHEN CAP IS REMOVED.
4. APPROXIMATE HEIGHT IS 9 5/16".
5. GASKET MATERIAL: WHITE FDA GYLON® 3545.
6. CAP MATERIAL: 416 SS.
7. ADAPTER MATERIAL: 316 SS.
8. 5 1/4-4 UN - 2B THREADS CONFORM TO FIGURE E18 OF THE AAR TANK CAR MANUAL.

B	RJP	5-11-16	UPDATED TE3S416DC53A, AAR APPROVAL # WAS E-049013 UPDATED TITLEBLOCK
A	RJP	12-19-13	RELEASED FOR PRODUCTION
REV	BY	DATE	DESCRIPTION

<small>UNLESS OTHERWISE SPECIFIED DIMENSIONAL TOLERANCES</small> FRACTIONAL: ±1/16 X.XX: ±.03 X.XXX: ±.015 ANGULAR: ±1° <small>DEBURR ALL SHARP EDGES. ALL MACHINED SURFACES TO HAVE A 125 RMS FINISH UNLESS NOTED OTHERWISE.</small> <small>THIRD ANGLE PROJECTION</small>	DRAWN BY:	RJP
	CHECKED BY:	JRO
	PROTOTYPE BY:	RJP
	PROTOTYPE DATE:	12/13/2013
	APPROVED FOR PRODUCTION BY:	JRO
	PRODUCTION DATE:	12/19/2013

**SALCO PRODUCTS, INC.**

**QUICK CONNECT 3" THREAD ON**

MATERIAL: **SEE NOTES**

PROJECT #: **090219** SHEET #: **1 OF 1** SCALE: **1:1**

DRAWING #: **D37967** PART #: **TE3S416SU53A**